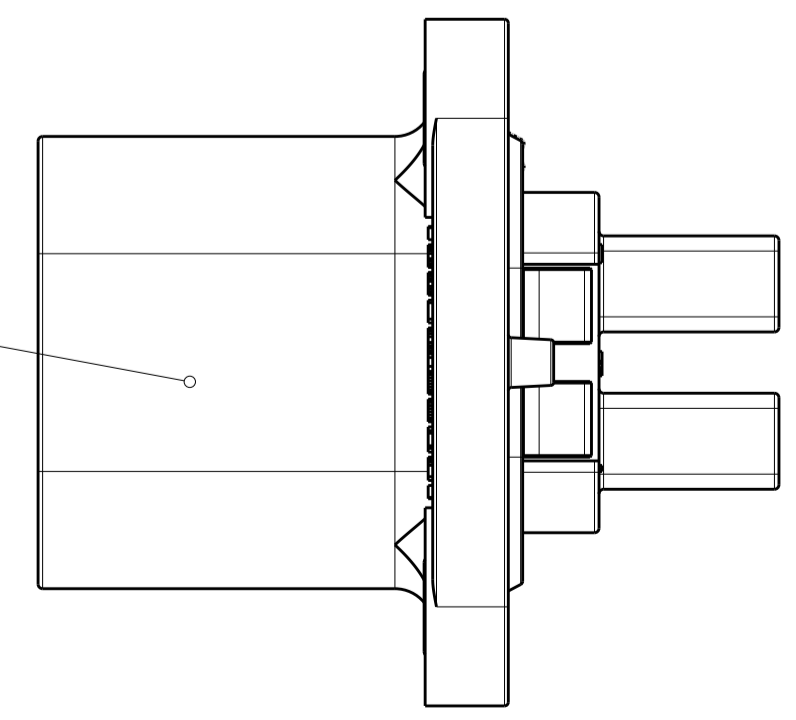
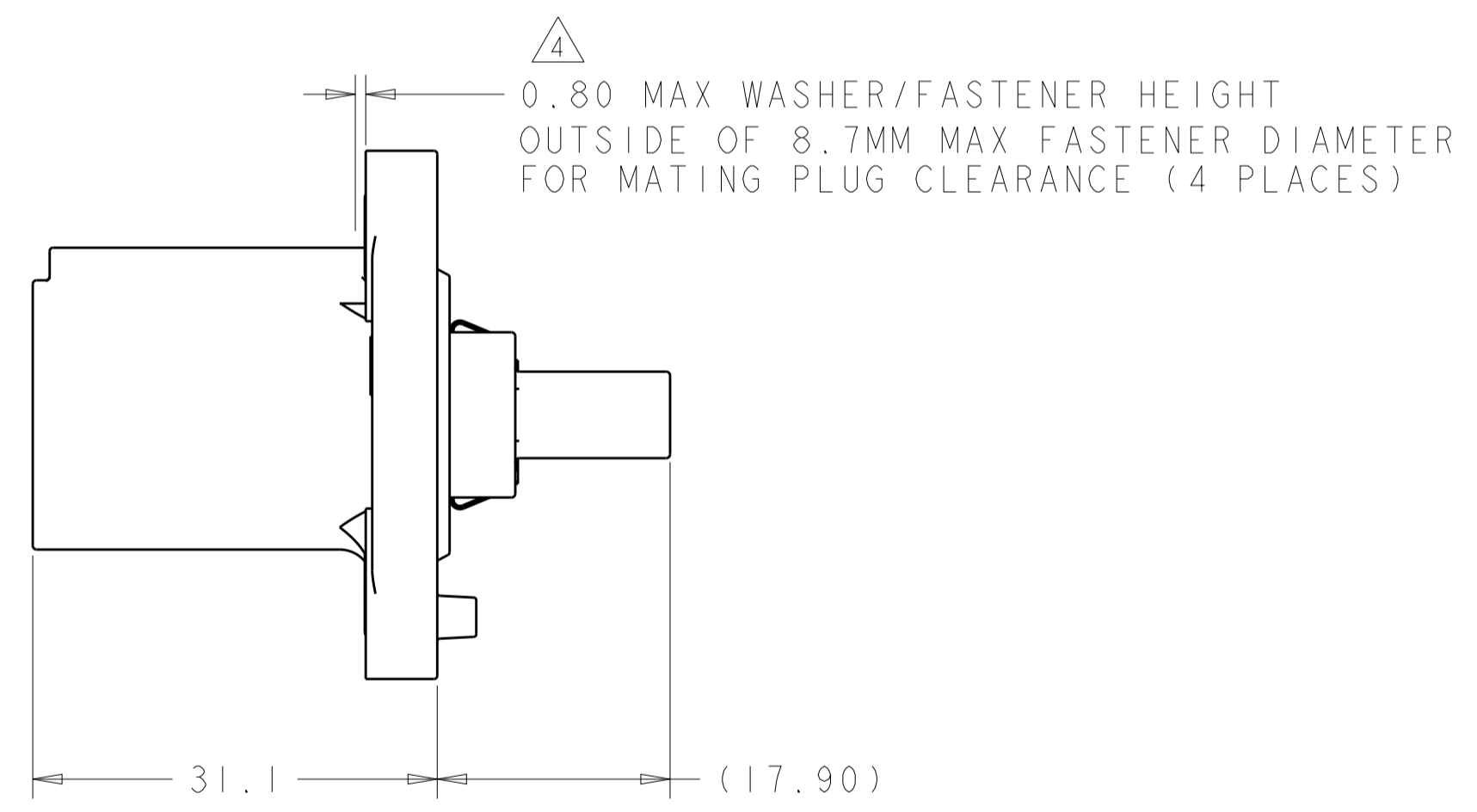
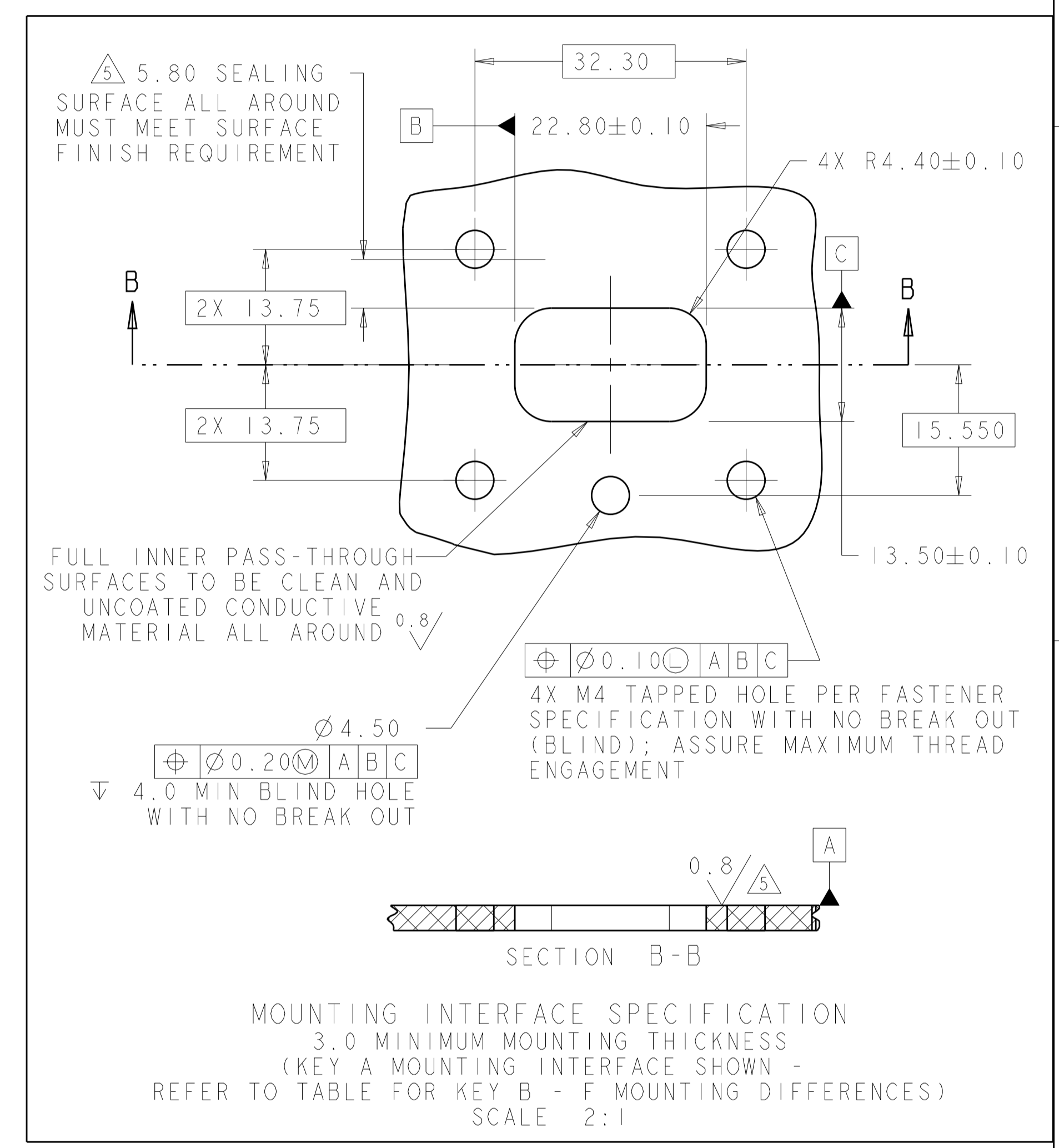
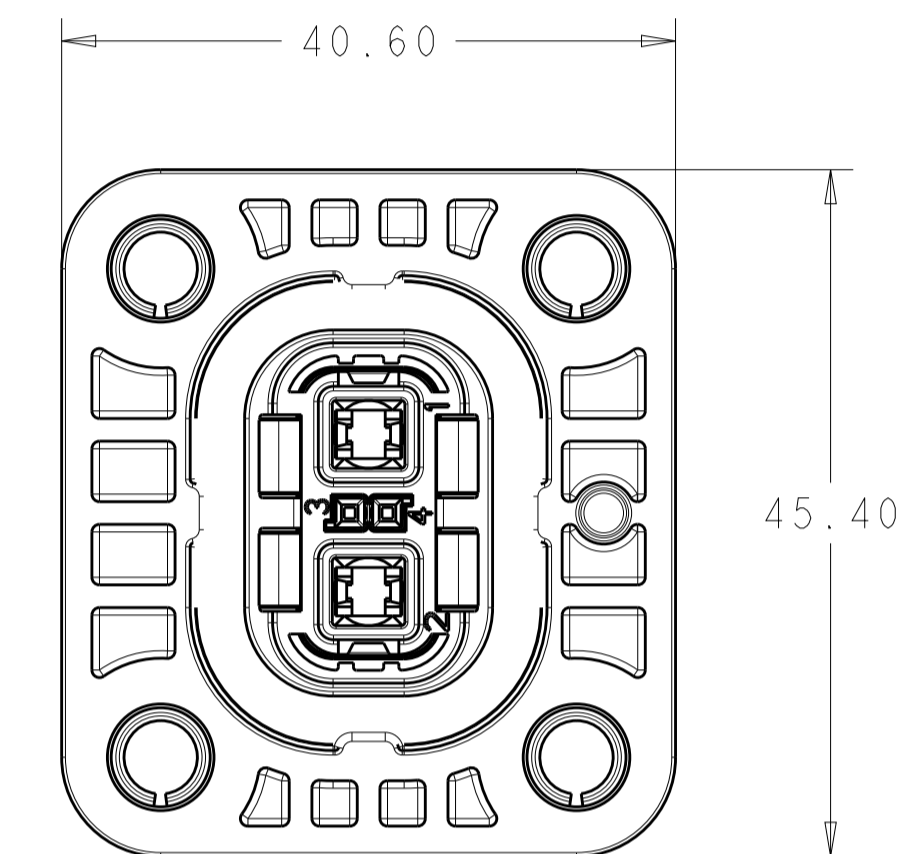
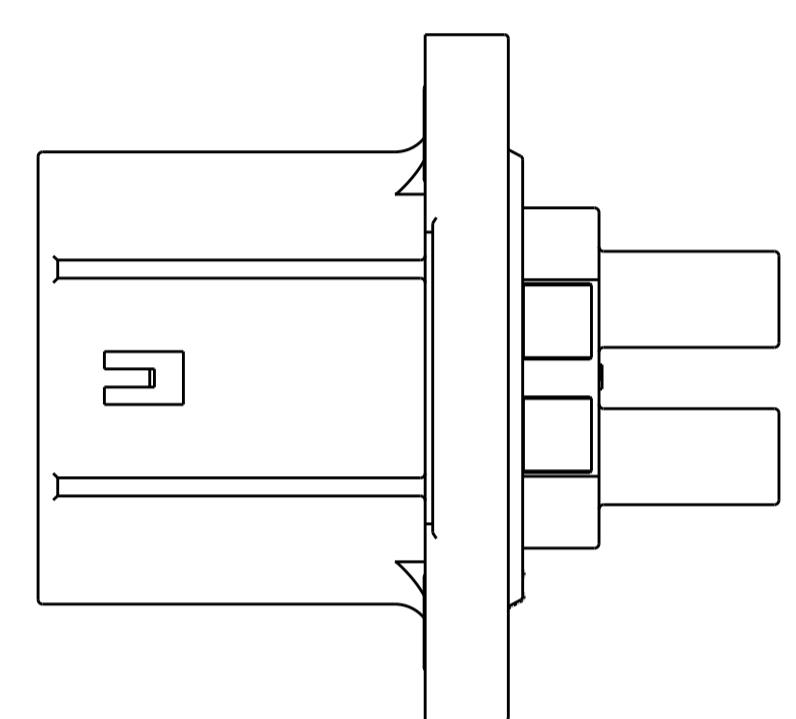
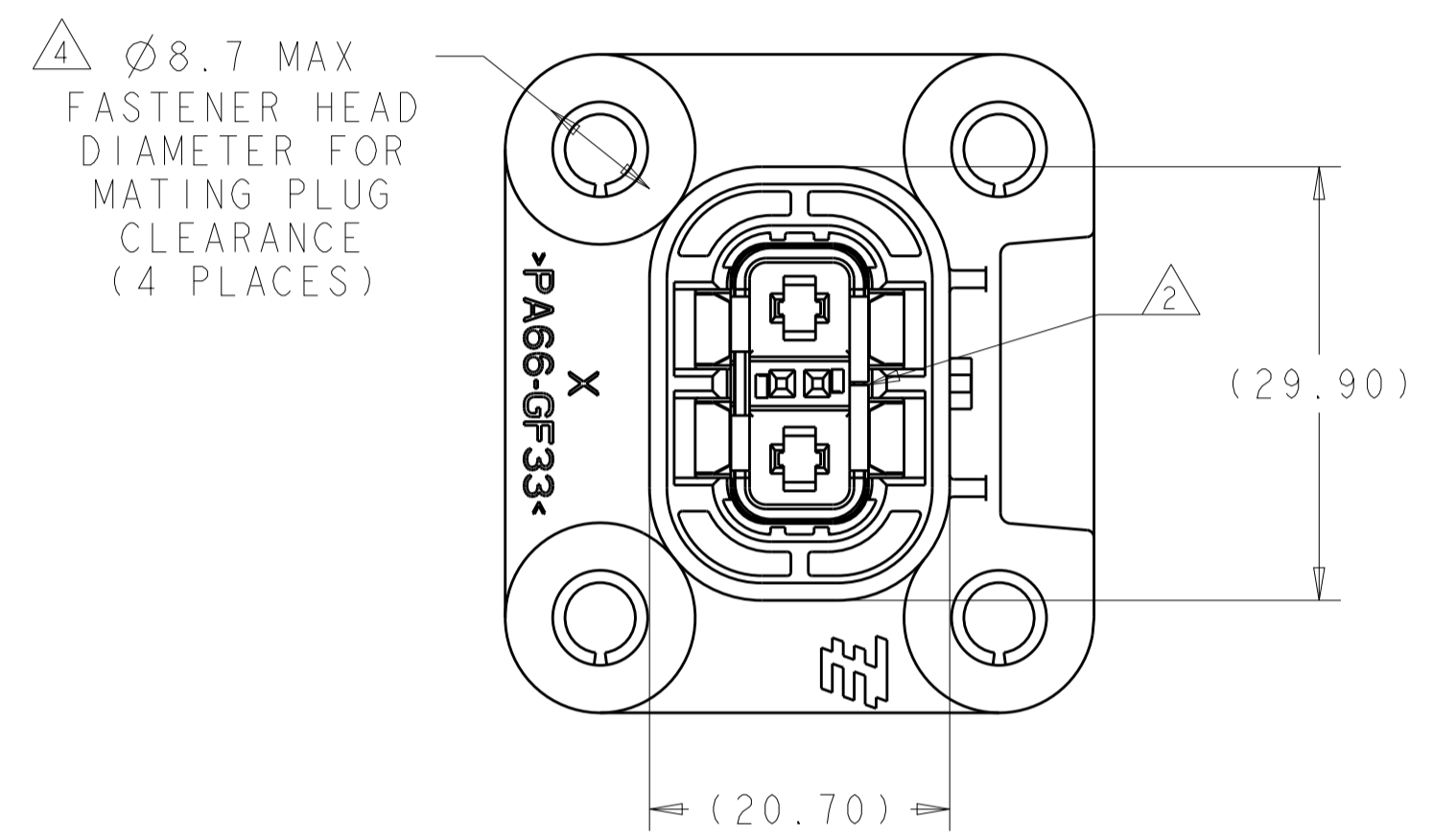
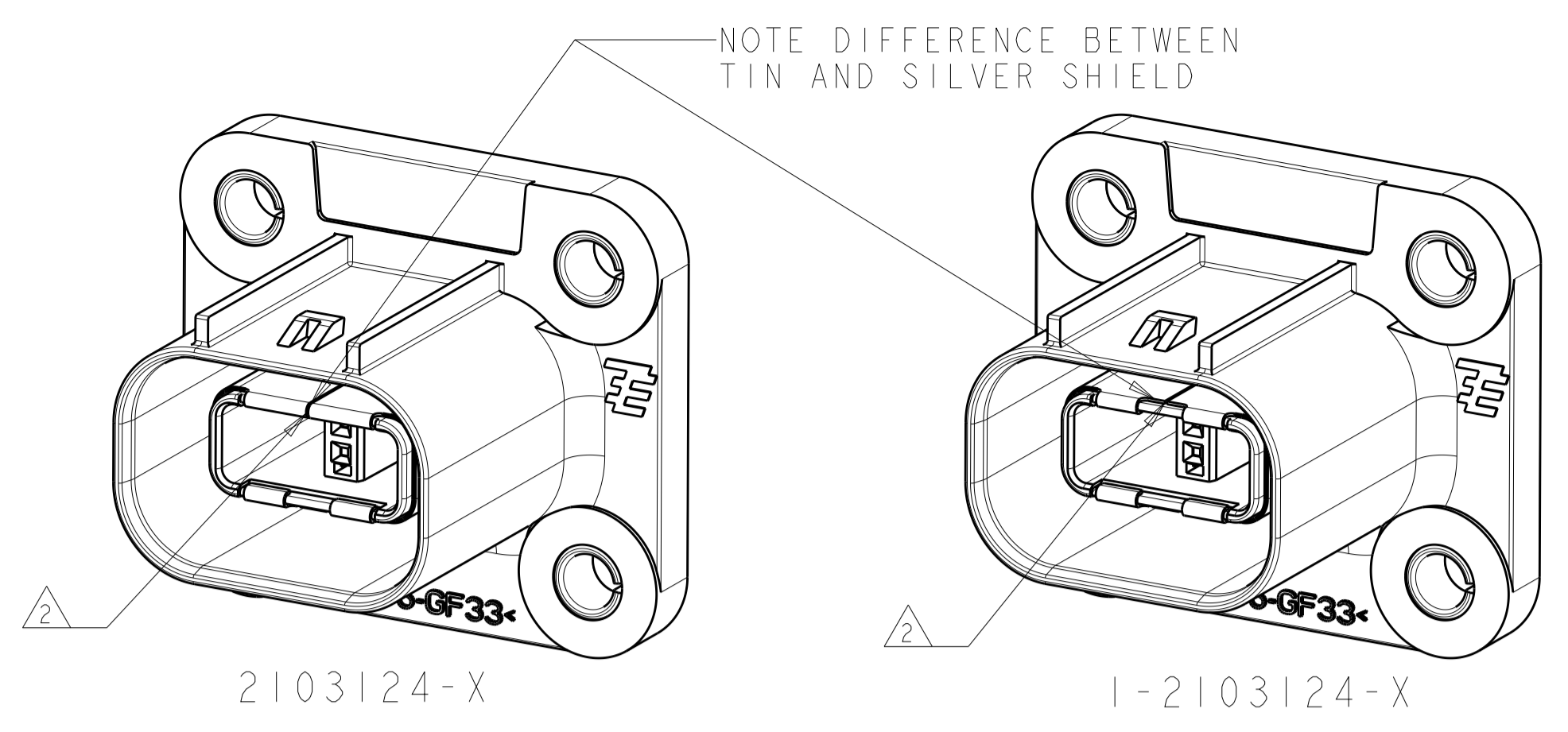
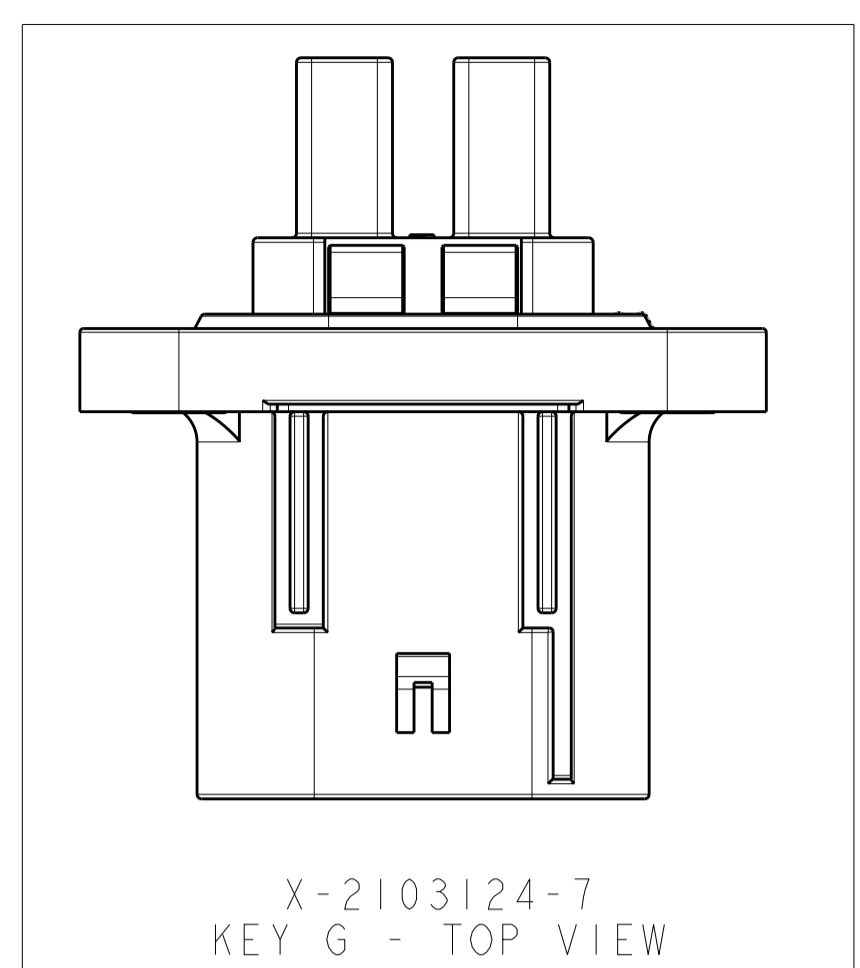


REVISIONS				
P.	LTN.	DESCRIPTION	DATE	OWN. APVD.
B2	ECO-14-008515		06JUN2014	YS TD



2103124-1 SHOWN IN ALL VIEWS UNLESS NOTED REFER TO SHEET 2 FOR ADDITIONAL PART NUMBER VIEWS

- IDENTIFICATION MARKING ON THIS SURFACE CONTAINS ASSEMBLY P/N AND DATE CODE (YYDD). TEXT ORIENTATION, SIZE, AND LOCATION CAN VARY AS LONG AS TEXT IS ON SURFACE SHOWN AND READABLE.
- SHIELD SEAM CAN BE POSITIONED AS SHOWN OR ROTATED 180° FROM POSITION SHOWN.
- DELETED
- THESE DIMENSIONS DEFINE FASTENER SIZE LIMITS FOR PROPER COMPONENT FUNCTIONALITY. END USER MUST ENSURE FASTENER AND/OR WASHER DIAMETER IS 8.6 MM MIN FOR PROPER RETENTION. THESE ARE NOT PRODUCT FEATURES - NO INSPECTION REQUIRED FOR THESE ITEMS.
- SURFACE FINISH APPLIES TO AREAS SHOWN IN MOUNTING INTERFACE SPECIFICATION
- USE WITH 2.8MM BLADE TERMINAL P/N:
2-2141598-2 FOR 1.0 - 2.5MM² WIRE
2-2141600-2 FOR >2.5 - 4.0MM² WIRE
- USE WITH MOS RECEPTACLE P/N:
963715-6, 963715-5, 928999-6 OR 928999-5, DEPENDING ON WIRE SIZE AND MATING PLUG USED
- NOTE DELETED
- NOTE DELETED

SHIELD FINISH	INDEX	PART NO
SILVER	G	1-2103124-7
SILVER	F	1-2103124-6
SILVER	E	1-2103124-5
SILVER	D	1-2103124-4
SILVER	B	1-2103124-2
SILVER	A	1-2103124-1
TIN	G	2103124-7
TIN	F	2103124-6
TIN	E	2103124-5
TIN	D	2103124-4
TIN	B	2103124-2
TIN	A	2103124-1

THIS DRAWING IS A CONTROLLED DOCUMENT.

OWN: T. DEWILTE 30SEP2010
CHK: T. DEWILTE 30SEP2010
APVD: T. DEWILTE 15APR2011

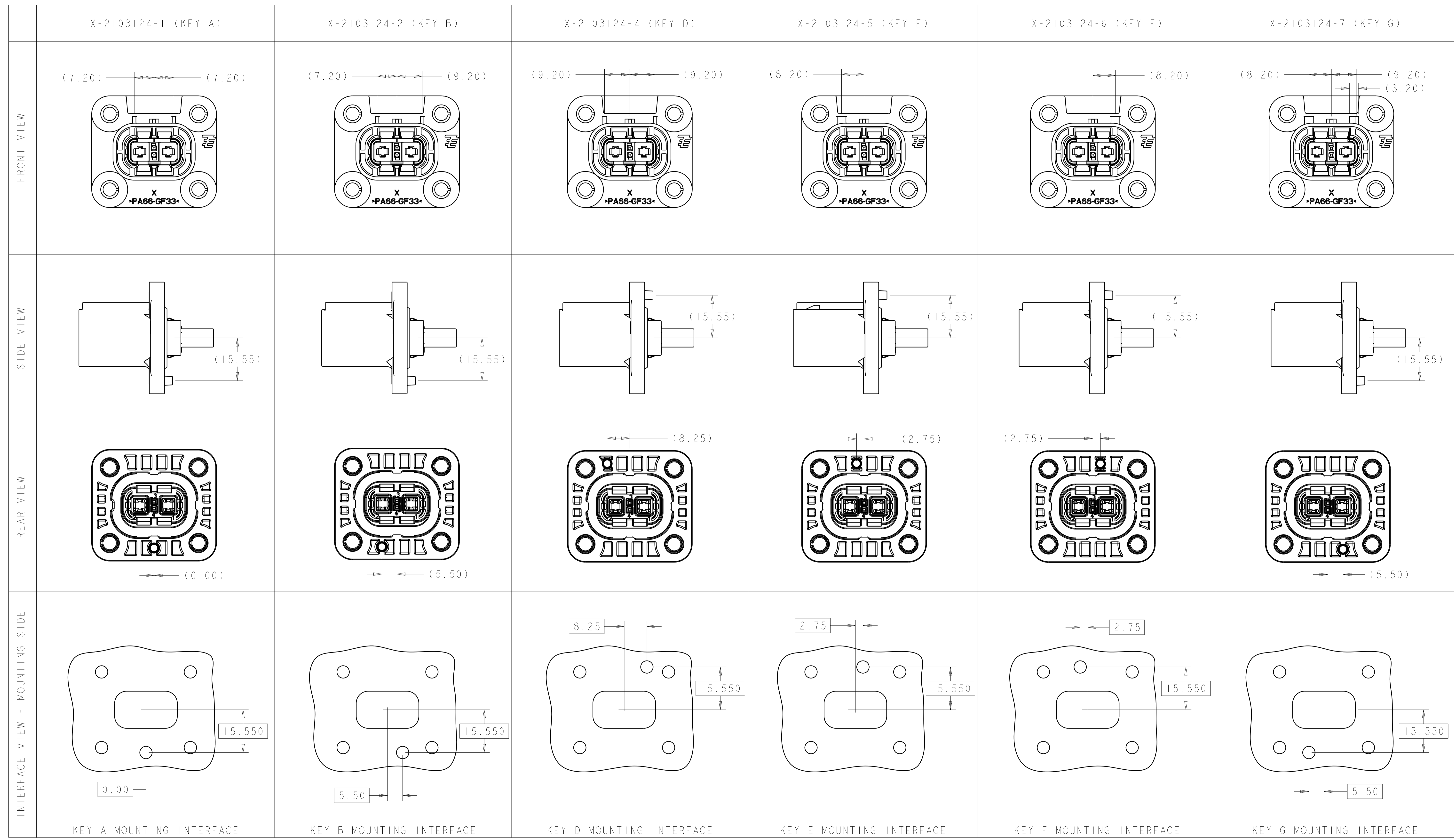
TE Connectivity

HVA280 2P HEADER ASSY
W/HVIL - PLASTIC 1 PIECE
CHART DRAWING

SIZE: 408-10441
WEIGHT: 22.7 g
CUSTOMER DRAWING

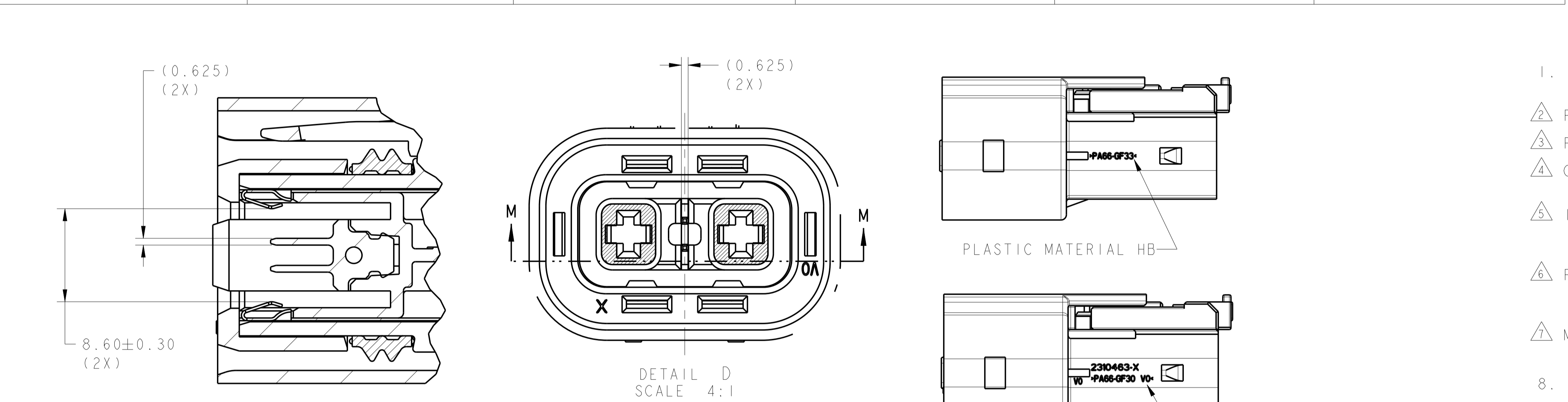
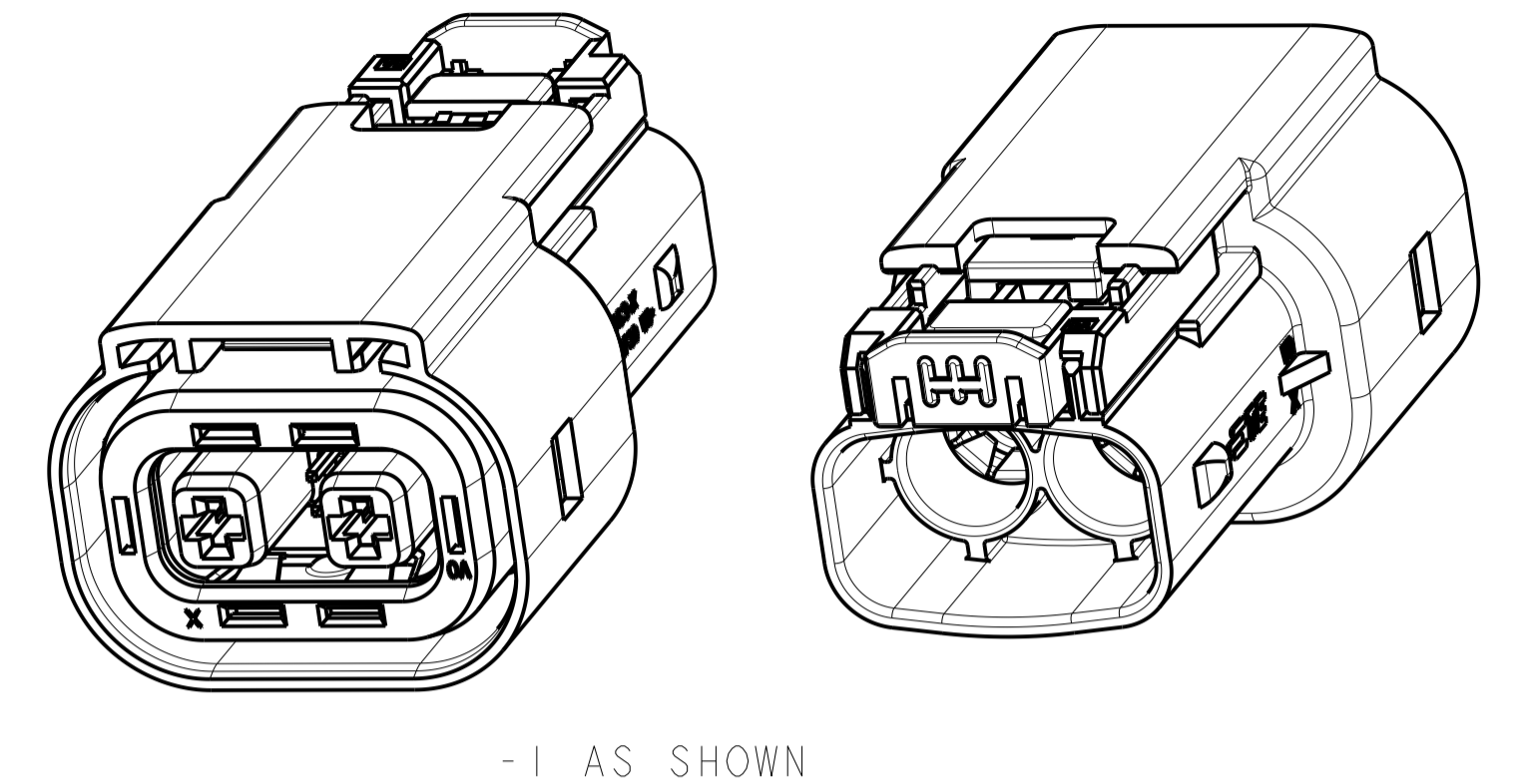
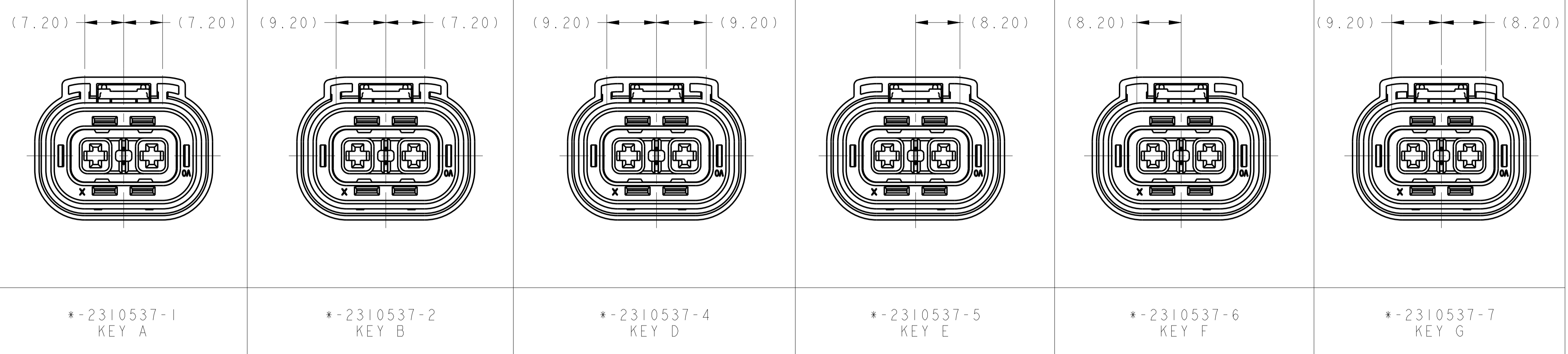
SCALE: 2:1 SHEET 1 OF 2 REV: B2

REVISIONS				
P.	LTN	DESCRIPTION	DATE	APVD
-	-	SEE SHEET 1	-	-



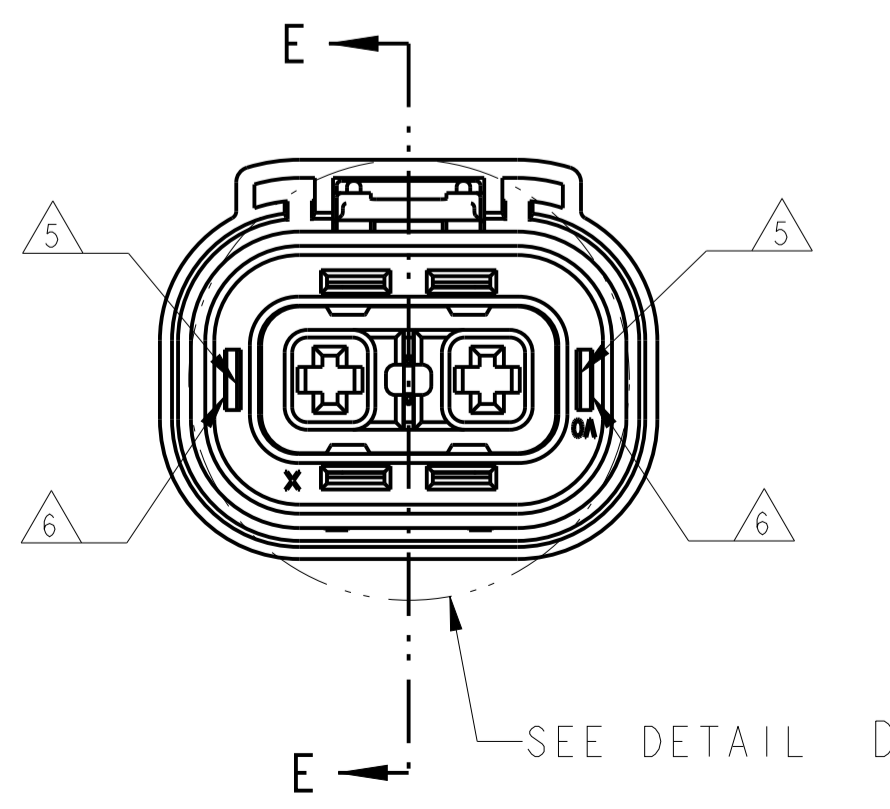
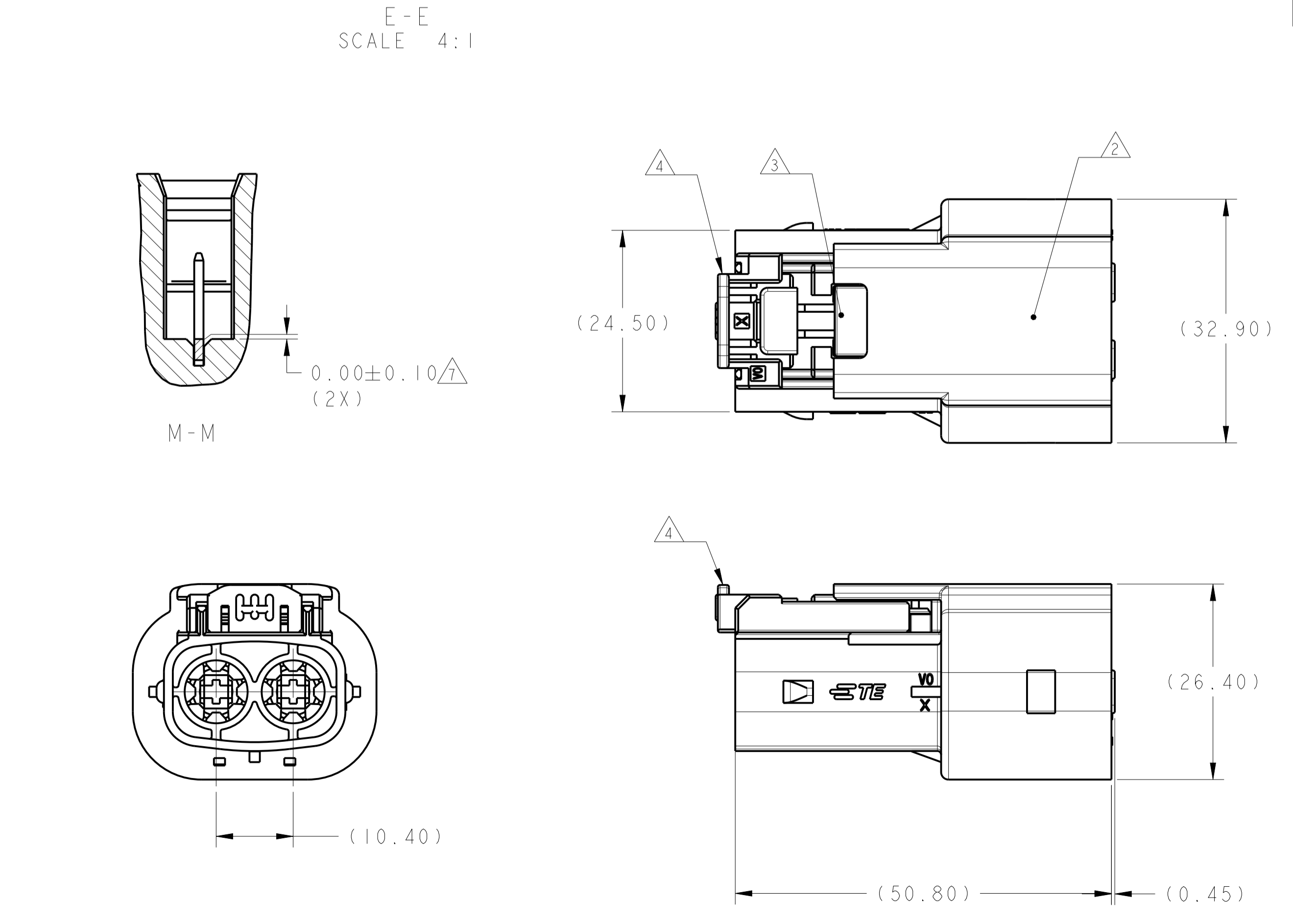
THIS DRAWING IS A CONTROLLED DOCUMENT.		OWN: T. DEWILTE 30SEP2010	STE TE Connectivity
DIMENSIONS: mm		CHK: T. DEWILTE 30SEP2010	
TOLERANCES UNLESS OTHERWISE SPECIFIED:		APVD: T. DEWILTE 15APR2011	NAME: HVA280 2P HEADER ASSY W/HVIL - PLASTIC 1 PIECE CHART DRAWING
0 PLC ±0.50 1 PLC ±0.50 2 PLC ±0.15 3 PLC ±0.05 4 PLC ±0.05 ANGLES ±°		PRODUCT SPEC: -	
MATERIAL: -		APPLICATION SPEC: 408-10441	SIZE: A1
FINISH: -		WEIGHT: 22.7 g	CAGE CODE: 2103124
		CUSTOMER DRAWING	SCALE: 2:1 SHEET 2 OF 2 REV: B2

REVISIONS				
P.	LTN	DESCRIPTION	DATE	OWN APVD
B2		REVISION (ECR-19-005351)	17MAY19	R.Z E.J
B3		REVISION (ECR-19-018340)	25NOV19	R.Z E.J
B4		ADD NEW PN(ECO-20-010464)	27JUL20	C.C E.J
-	-	-	-	-



- CONNECTOR MUST BE FREE OF ANY MECHANICAL DEFECTS WHICH MAY AFFECT FIT, FORM, OR PERFORMANCE
- PART NUMBER AND ASSEMBLY DATE CODE MARKED IN THIS AREA
- FLOATING LATCH MUST BE FULLY INSTALLED AS SHOWN
- CPA, WHEN PRESENT MUST BE INSTALLED IN PRE-STAGE POSITION AS SHOWN
- INNER HOUSING SUB ASSEMBLY MUST BE FULLY LOCKED IN TWO LOCATIONS INTO OUTER HOUSING. INSPECTION PRIOR TO ASSEMBLY OF PERIPHERAL SEAL RETAINER PERMITTED
- PERIPHERAL SEAL RETAINER MUST BE FULLY LOCKED IN TWO LOCATIONS INTO OUTER HOUSING.
- MEASURE EACH STAMPING SHOULDER FLUSH CONDITION TO NEIGHBORING PLASTIC SURFACE
- SHIELDING INFORMATION AND FIRE RETARDANT CLASS FOR PLASTIC PART SEE BELOW TABLE.

P/N	SHIELDING INFO	FIRE RETARDANT CLASS OF PLASTIC MATERIAL	REFERENCE DRAWING (P/N) FOR MISSING DIMENSION
2310537-1	CuSn4 Sn PLATING OVER Ni	V0	4-2103177-1
2310537-2			4-2103177-2
2310537-4			4-2103177-4
2310537-5			4-2103177-5
2310537-6			4-2103177-6
2310537-7			4-2103177-7
2-2310537-1			CuSn4 Sn PLATING OVER Ni
2-2310537-2	4-2103177-2		
2-2310537-3	4-2103177-3		
2-2310537-4	4-2103177-4		
2-2310537-5	4-2103177-5		
2-2310537-6	4-2103177-6		
2-2310537-7	4-2103177-7		
3-2310537-4	CuSn4 Sn PLATING OVER Ni		4-2103177-4



THIS DRAWING IS A CONTROLLED DOCUMENT. OWN: R. ZHANG 14OCT2016
 CHK: S.Y. WANG 10JUL2017
 APVD: J. YIN 27JUL2017

DIMENSIONS: mm
 TOLERANCES UNLESS OTHERWISE SPECIFIED:
 0-10 mm ±0.2
 10-25 mm ±0.3
 25-50 mm ±0.4
 50-100 mm ±0.5
 100-150 mm ±0.6
 150-200 mm ±0.7
 200-250 mm ±0.8
 250-300 mm ±0.9
 300-400 mm ±1.0
 400-500 mm ±1.1
 500-600 mm ±1.2
 600-700 mm ±1.3
 700-800 mm ±1.4
 800-900 mm ±1.5
 900-1000 mm ±1.6

PRODUCT SPEC: Refer to 108-2394
 APPLICATION SPEC: Refer to 114-13259

NAME: PLUG ASSY HVA280-2PHI
 SIZE: A1
 CAGE CODE: -
 DRAWING NO: C=2310537
 RESTRICTED TO: B4

CUSTOMER DRAWING SCALE: 2:1 SHEET: 1 OF 1 REV: B4