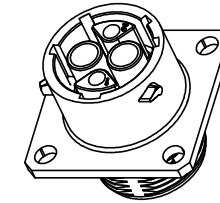
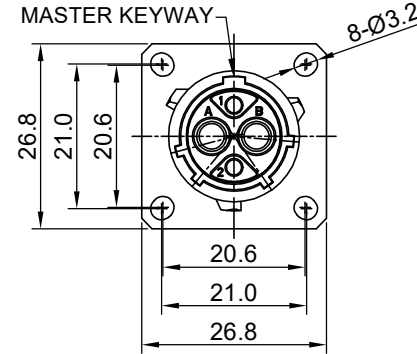
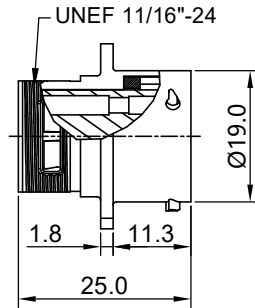
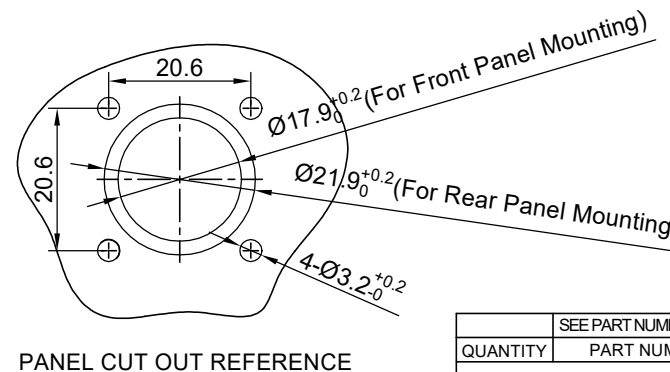


REVISIONS					
REV	ECO	DESCRIPTION	DATE	BY	APPR
B1	-	RELEASED DRAWING	AUG-16-2014	BEN	TOMMY
B2	-	CHANGE RATED VOLTAGE	JUN-2-2020	FLAN	TOMMY
B3	-	CHANGE RATED VOLTAGE	Jun-6-2020	FLAN	TOMMY



NOTES: (UNLESS OTHERWISE SPECIFIED)

- MATERIAL:
  - SHELL: ZINC ALLOY, NICKEL PLATED.
  - INSERT: THERMOPLASTIC, UL94 V-0.
  - SEAL GASKET: NBR/SILICONE RUBBER.
- SPECIFICATIONS:
  - RATED CURRENT:
    - 2.1.1 2.5mm CONTACT 23A (MAX).
    - 2.1.2 20# CONTACT 5A (MAX).
  - RATED VOLTAGE: 700V AC/DC (POLLUTION DEGREE II).
  - OPERATING TEMPERATURE: SEE CHART.
  - DIELECTRIC WITHSTANDING VOLTAGE: LESS THAN 2 MILLIAMPS CURRENT LEAKAGE@2000 VOLTS AC.
  - INSULATION RESISTANCE: 5000 MEGOHMS MIN.
  - IP--CLASS: IP67(MATED CONDITION).
  - MATING CYCLES DURABILITY: 500 CYCLES MIN.
  - RoHS COMPLIANT.
- SUITABLE CONTACTS : 2.5mm & 20# CONTACTS.
- ALL DIMENSIONS ARE FOR REFERENCE USE ONLY.



KEY POS	PART NUMBER	
	-40°C ~ 105°C	-40°C ~ 125°C
N	RT00122SN	RT00122SN03
W	RT00122SW	RT00122SW03
X	RT00122SX	RT00122SX03
Y	RT00122SY	RT00122SY03
Z	RT00122SZ	RT00122SZ03

QUANTITY	PART NUMBER	DESCRIPTION	ITEM
<b>MATERIALS LIST</b>			
UNLESS OTHERWISE SPECIFIED 1) All dimensions are in metric(mm). 2) Tolerances are as follows: 1 PL DEC ±0.30 2 PL DEC ±0.15 3 PL DEC ±0.08 3) Note reference =		<b>SIGNATURES</b> <b>DATE</b> DRAWN: <u>Plan</u> <u>Jun-5-2020</u> CHECKED: <u>Orion</u> <u>Jun-5-2020</u> ENGINEER: APPROVAL: <u>Tommy</u> <u>Jun-5-2020</u> CUSTOMER:	
MATERIAL SPECIFICATIONS:		<b>Amphenol</b> Sine Systems - www.amphenol-sine.com 44724 Morley Drive Clinton Township, MI 48036	
PROCESS SPECIFICATIONS:		ECO-MATE, RECEPTACLE, SIZE 12,2POS, SOCKET.	
NEXT ASSY:		THIS DRAWING IS SUPPLIED FOR INFORMATION ONLY. DESIGN FEATURES, SPECIFICATIONS AND PERFORMANCE DATA SHOWN HEREON ARE THE PROPERTY OF THE AMPHENOL CORPORATION. NO RIGHTS OF REPRODUCTION ARE IMPLIED. ALL DIMENSIONS ARE SUBJECT TO NORMAL MANUFACTURING VARIATIONS.	SCALE: NONE SHEET 1 OF 1
		SIZE TYPE DWG NO: <b>B C-</b> <b>RT00122S*X</b>	REVISION <b>B3</b>

TITLE: ECO-MATE RECEPTACLE SIZE 12,2POS, SOCKET.  
 DWG NO: RT00122S\*X  
 REV: B3  
 SH: 1  
 OF: 1